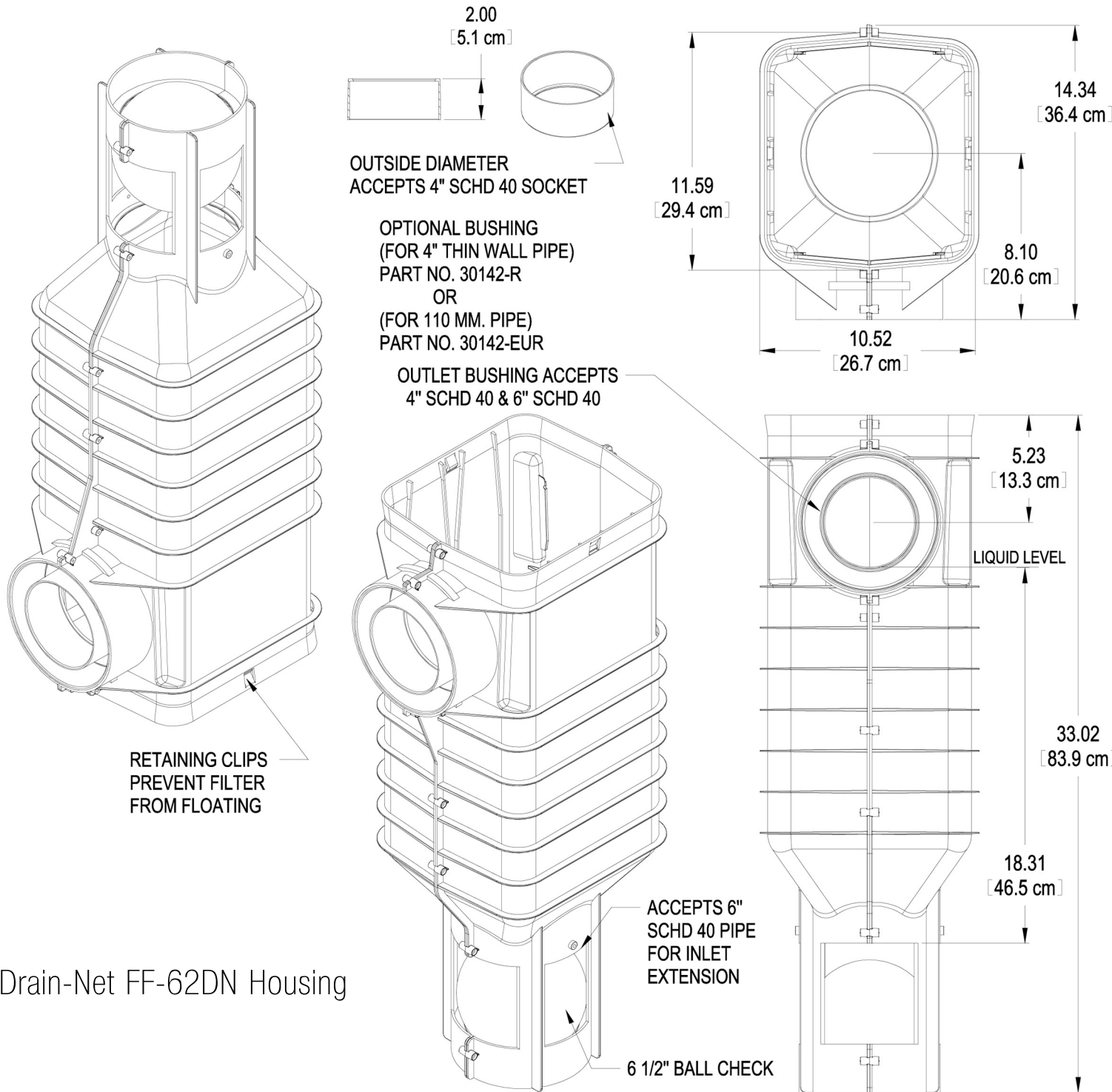
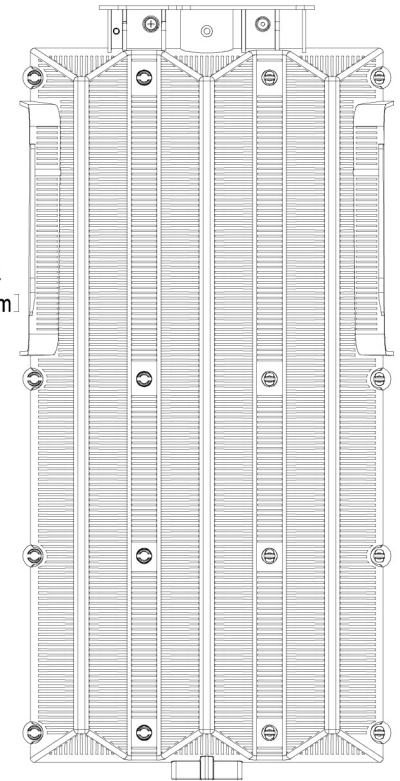
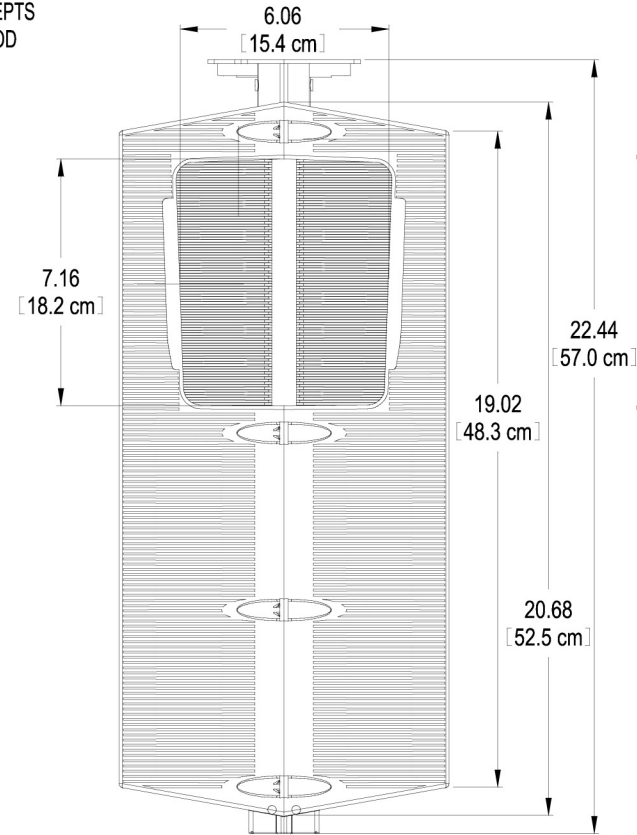
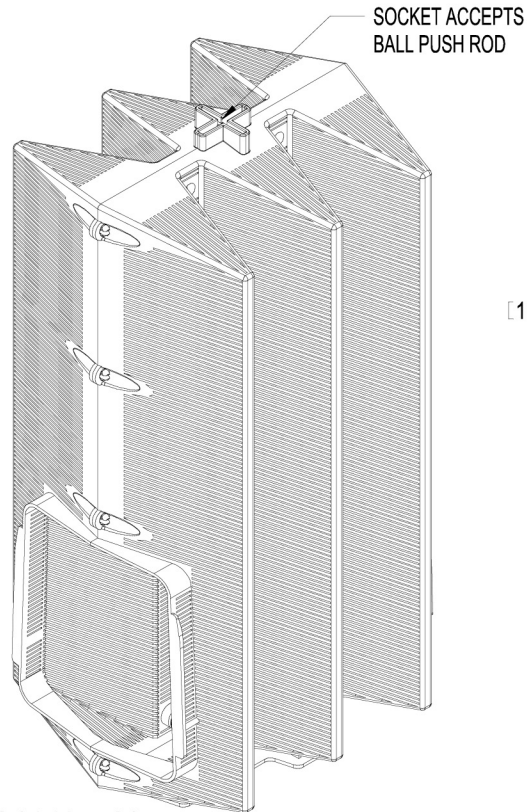
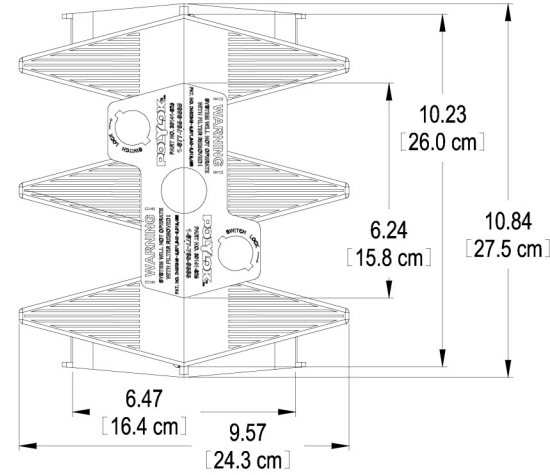
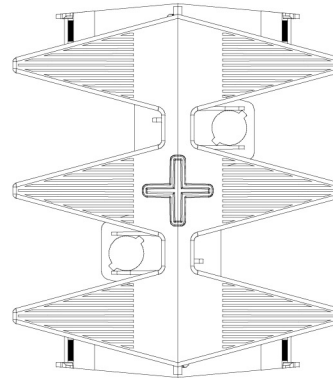
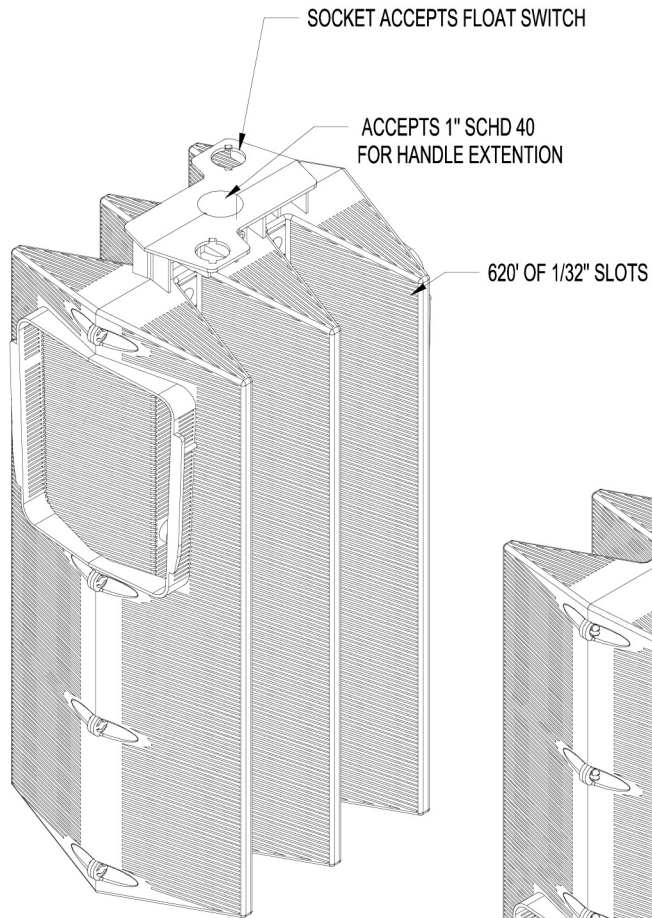


Drain-Net FF-62DN CUTAWAY

DrainNet
TECHNOLOGIES
Freedom Filter
 Effluent Filter & Grease Trap



Drain-Net FF-62DN Housing



Drain-Net FF-62DN Filter Cartridge

MATERIAL - POLYPROPYLENE

COLOR - GREEN

TOTAL FILTRATION - 620' OF 1/32" SLOTS (1.60 sq.ft.)
(189 METERS OF .8MM SLOTS)(1486.5 sq.cm)

TOTAL FILTER SURFACE - 9.58 SQ.FT. (8903.76 sq. cm)