

Installation Instructions



Rusted floor sink



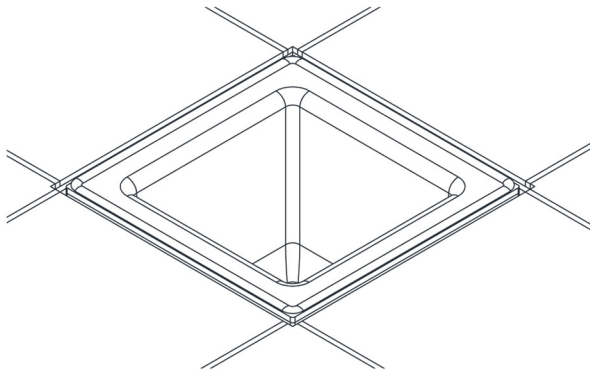
Remove edge



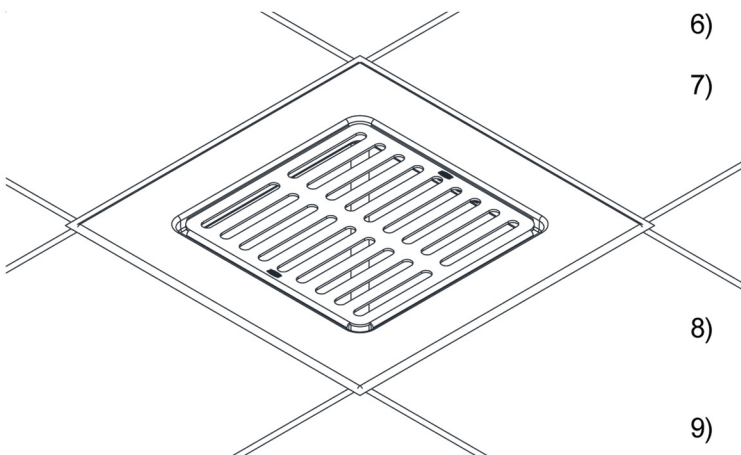
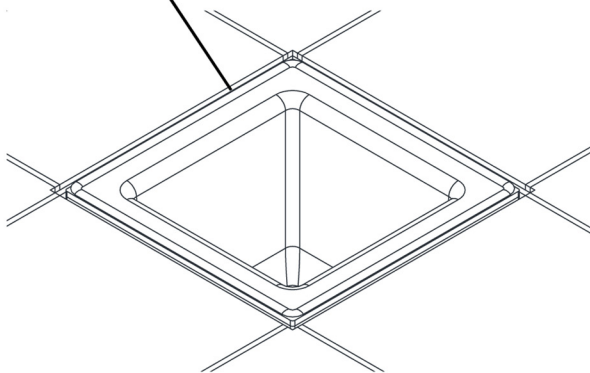
Insert stainless steel liner



Complete installation



Adhesive Sealant



- 1) Remove liner from packaging and confirm outlet diameter with a tape measure.
- 2) Measure top of liner. Use a dremel to cut a groove in material surrounding the sink (grout, tile, concrete, etc.) to a depth of at least 9/16" [14mm] to accommodate lip of the new liner.
- 3) Clean underside of liner flange, top flange of sink, and surrounding area with an appropriate cleaner (provided by others), removing all dust.
- 4) Apply silicone lubricant (provided by others) to gasket on liner outlet.
- 5) Apply a suitable adhesive (provided by others) to top surface of sink, fully around the outside of the sink flange. Note: adhesive sealant must be approved to bond stainless steel to enamel materials.
- 6) Insert liner into sink.
- 7) Insert grate into liner.
- 8) Place weights on sink until adhesive cures, following adhesive manufacturer's instructions for full cure.
- 9) Grout around liner.