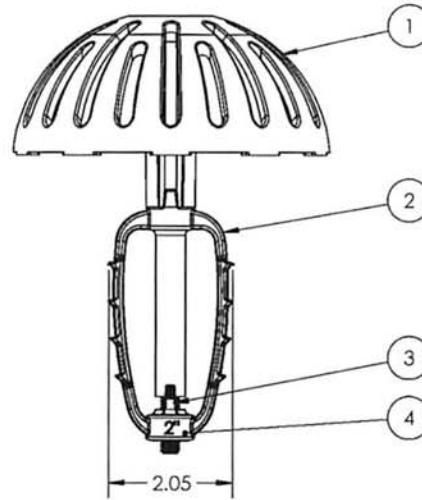
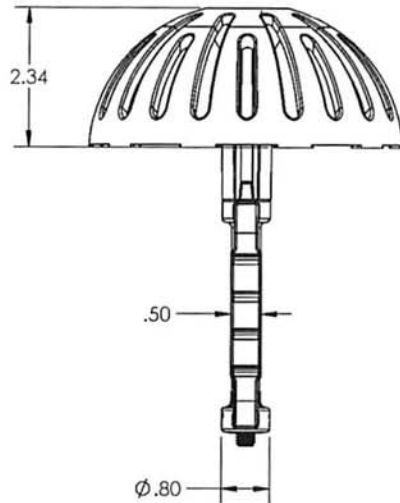
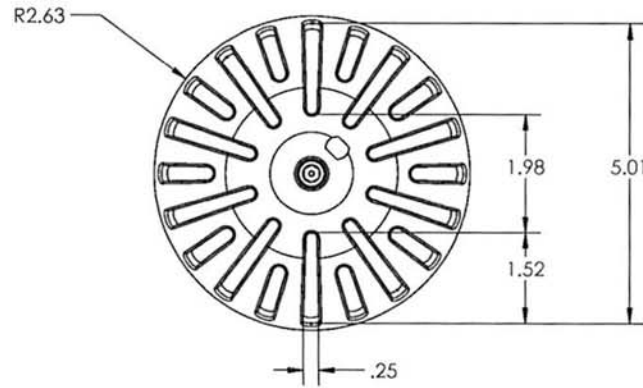


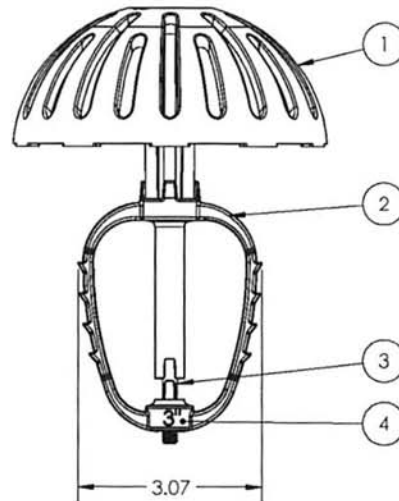
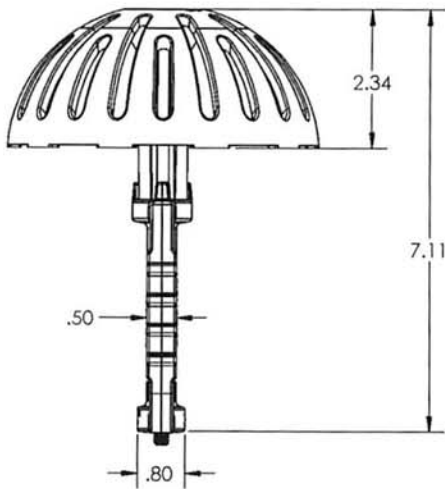
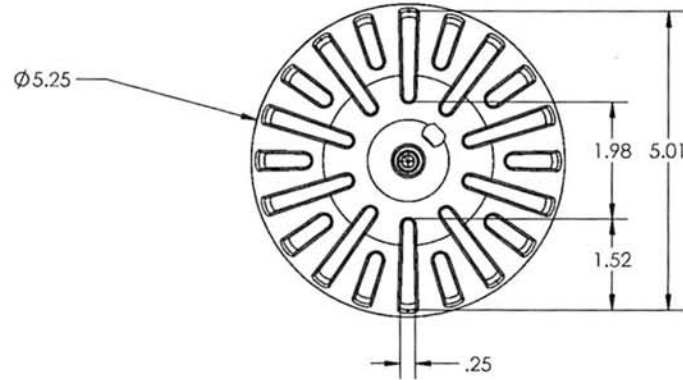
REVISIONS		
REV	DESCRIPTION	DATE
A	INITIAL RELEASE	6/14/18



ITEM NO.	PART NUMBER	QTY.
1	Dome - Nylon MF/GF	1
2	DL-20 Expander	1
3	5/16-18 x 7" Type 304 SS Socket Head Cap Screw	1
4	5/16-18 Brass Hex Nut	1

UNLESS OTHERWISE SPECIFIED:		NAME	DATE	TITLE: 2" Pro-Tech™ Drain Lock - Dome
DIMENSIONS ARE IN INCHES	DRAWN:	RKL	6/14/18	
TOLERANCES:	CHECKED			PTDM-20-SB
FRACTIONAL: ±1/64	ENG APPR.			
ANGULAR: ±2°	MFG APPR.			SIZE DWG. NO. REV B DM-20 Assy A
TWO PLACE DECIMAL: ±.01	G.A.			
THREE PLACE DECIMAL: ±.010	COMMENTS:			SCALE: 1:2 WEIGHT: SHEET 1 OF 1
INTERFRET GEOMETRIC TOLERANCING PER:				
MATERIAL:				
DO NOT SCALE DRAWING				

REVISIONS		
REV	DESCRIPTION	DATE
A	INITIAL RELEASE	6/14/18

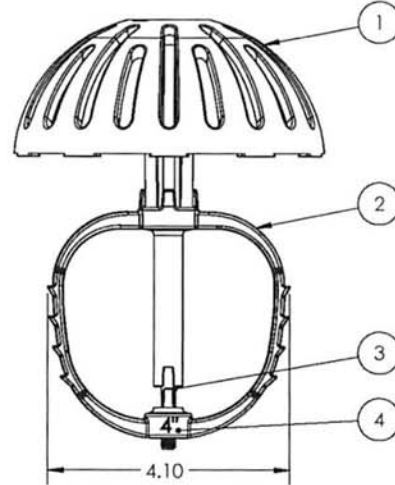
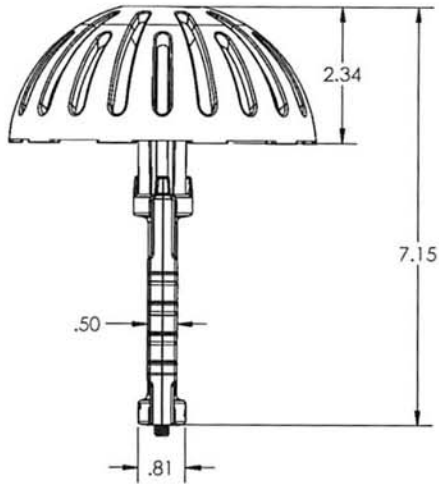
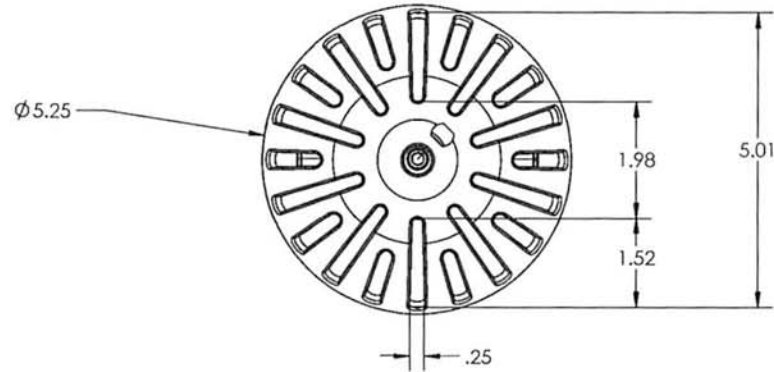


ITEM NO.	PART NUMBER	QTY.
1	Dome - Nylon MF/GF	1
2	DL-30 Expander	1
3	5/16-18 x 7" Type 304 SS Socket Head Cap Screw	1
4	5/16-18 Brass Hex Nut	1

UNLESS OTHERWISE SPECIFIED:		NAME	DATE
DIMENSIONS ARE IN INCHES	DRAWN	RKL	6/14/18
TOLERANCES:	CHECKED		
FRACTIONAL: $\pm 1/64$	ENG APPR.		
ANGULAR: $\pm 2^\circ$	MFG APPR.		
TWO PLACE DECIMAL: ± 0.1	Q.A.		
THREE PLACE DECIMAL: ± 0.10	COMMENTS:		
INTERPRET GEOMETRIC TOLERANCING PER			
MATERIAL			
DO NOT SCALE DRAWING			

3" Pro-Tech™ Drain Lock - Dome		
TITLE: PTDM-30-SB		
SIZE B	DWG. NO. DM-30 Assy	REV A
SCALE: 1:2	WEIGHT:	SHEET 1 OF 1

REVISIONS		
REV	DESCRIPTION	DATE
A	INITIAL RELEASE	6/14/18



ITEM NO.	PART NUMBER	QTY.
1	Dome - Nylon MF/GF	1
2	DL-40 Expander	1
3	5/16-18 x 7" Type 304 SS Socket Head Cap Screw	1
4	5/16-18 Brass Hex Nut	1

UNLESS OTHERWISE SPECIFIED:		NAME	DATE
DIMENSIONS ARE IN INCHES	DRAWN	RKL	6/14/18
TOLERANCES:	CHECKED		
FRACTIONAL: 1/64	ENG APPR.		
ANGULAR: 2°	MFG APPR.		
TWO PLACE DECIMAL: ±.01	Q.A.		
THREE PLACE DECIMAL: ±.010	COMMENTS:		
INTERFRET GEOMETRIC TOLERANCING PER:			
MATERIAL:			
DO NOT SCALE DRAWING			

4" Pro-Tech™ Drain Lock - Dome		
TITLE: PTDM-40-5B		
SIZE B	DWG. NO. DM-40 Assy	REV A
SCALE: 1:2	WEIGHT:	SHEET 1 OF 1